

**MILWAUKEE PUBLIC LIBRARY – MILL ROAD GOOD HOPE BRANCH
BID PACKAGE #5 – OPEN LINES FURITURE BID PACKAGE**

Furniture Product Specifications

March 8, 2019

Project #170044.00

BID PACKAGE #5

SPECIFICATIONS - FURNITURE AND FURNISHINGS

OPEN LINE FURNITURE

**MILWAUKEE PUBLIC LIBRARY – MILL ROAD GOOD HOPE BRANCH
 BID PACKAGE #5 – OPEN LINES FURITURE BID PACKAGE**

Furniture Product Specifications
 March 8, 2019
 Project #170044.00



BENCH OPTIONS - ALTERNATES ACCEPTED

PRODUCT SPECIFICATIONS

CODE	B-1
LOCATION	100
MFR.	HIGHTOWER OR APPROVED ALTRNATE
SERIES	AYRE
PROD. #	HT12900
DESCRIPTION	WOOD SLATS AND METAL LEGS
SIZE	18" D X 60" L – Standard Height
FINISH – WOOD SLATS	WALNUT
FINISH - FRAME	METALLIC SILVER

MILWAUKEE PUBLIC LIBRARY – MILL ROAD GOOD HOPE BRANCH BID PACKAGE #5 – OPEN LINES FURITURE BID PACKAGE

Furniture Product Specifications
 March 8, 2019
 Project #170044.00



NO ALTERNATES ACCEPTED

PRODUCT SPECIFICATIONS

CODE	C-3
LOCATION	101(4), 131(75)
MFR.	KI
SERIES	STRIVE
PROD. #	SNNAU-SNNAU HRDPT – INCLUDE DOLLY
DESCRIPTION	FLIP/ NESTING CHAIR ON CASTERS, UPHOLSTERED SEAT, FLEX POLY BACK, ARMLESS
SIZE	17"W X 18"D X 16.5"H
FINISH – FRAME	SX STARLIGHT SILVER METALLIC
MATERIAL – BACK	PPT – Translucent Poly Pewter (ALL AREAS)
UPHOLSTERY - SEAT	IN AREA 101: SEATING FABRIC TO BE DESIGNTEXT LINARI 3400, BALLPOINT 401 (QTY (X 4) IN AREA 131: SEATING FABRIC TO BE MOMENTUM, SILICA BRACKET, MARINE (QTY X 75)
CASTERS	TO BE SELECTED FROM MANUFACTURERS FULL LINE – ASSUME GRAY

**MILWAUKEE PUBLIC LIBRARY – MILL ROAD GOOD HOPE BRANCH
 BID PACKAGE #5 – OPEN LINES FURITURE BID PACKAGE**

Furniture Product Specifications
 March 8, 2019
 Project #170044.00



NO ALTERNATES ACCEPTED

CODE	C-5
LOCATION	127, 115
MFR.	KI
SERIES	RUCKUS
PROD. #	RK5100
DESCRIPTION	TASK CHAIR, ALL POLY/ UNUPHOLSTERED, STANDARD HEIGHT
SIZE	18”d X 22”w ZX 18”h SEAT – STANDARD HEIGHT
FINISH – LEGS/FRAME AND SEAT/BACK	IN AREA 127: BLACK BASE WITH MOLDED PLASTIC PPH PURPLE HAZE (QTY X 6) IN AREA 115: SILVER METALLIC BASE WITH TRANSLUCENT POLY PPT PEWTER (QTY X 7)

**MILWAUKEE PUBLIC LIBRARY – MILL ROAD GOOD HOPE BRANCH
 BID PACKAGE #5 – OPEN LINES FURITURE BID PACKAGE**

Furniture Product Specifications
 March 8, 2019
 Project #170044.00



NO ALTERNATES ACCEPTED

CODE	C-5N
LOCATION	125
MFR.	KI
SERIES	RUCKUS
PROD. #	RK2100H15NB
DESCRIPTION	TASK CHAIR, ALL POLY/ UNUPHOLSTERED, JUVENILE HEIGHT
SIZE	18”d X 22”w ZX 15”h SEAT – JUVENILLE HEIGHT
FINISH – LEGS/FRAME	SILVER METALLIC BASE
FINISH – SEAT/BACK	TRANSLUCENT POLY PPT DIAMOND

**MILWAUKEE PUBLIC LIBRARY – MILL ROAD GOOD HOPE BRANCH
 BID PACKAGE #5 – OPEN LINES FURITURE BID PACKAGE**

Furniture Product Specifications
 March 8, 2019
 Project #170044.00



NO ALTERNATES ACCEPTED

CODE	C-5M
LOCATION	128
MFR.	KI
SERIES	RUCKUS
PROD. #	RKU100H18BR
DESCRIPTION	TASK CHAIR, ALL POLY/ UNUPHOLSTERED, JUNIOR HEIGHT WITH BACKPACK HOLDER
SIZE	18”d X 22”w ZX 18”h seat
FINISH – LEGS/FRAME	SILVER METALLIC BASE
FINISH – SEAT/BACK	TRANSLUCENT POLY PPT DIAMOND

**MILWAUKEE PUBLIC LIBRARY – MILL ROAD GOOD HOPE BRANCH
 BID PACKAGE #5 – OPEN LINES FURITURE BID PACKAGE**

Furniture Product Specifications
 March 8, 2019
 Project #170044.00



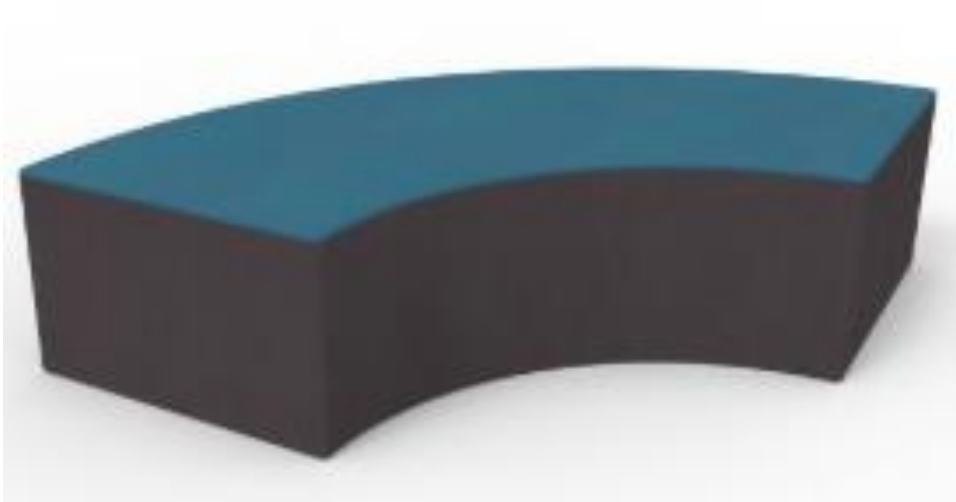
NO ALTERNATES ACCEPTED

PRODUCT SPECIFICATIONS

CODE	C-8
LOCATION	125
MFR.	KI
SERIES	SWAY
PROD. #	SYCNC
DESCRIPTION	SWIVEL LOUNGE CHAIR, PLASTIC SHELL, UPHOLSTERED SEAT AND BACK CUSHION (NO CONTRAST), NYLON GLIDES
SIZE	33"W X 32.5"D X 41.75"H
FINISH – FRAME	MOLDED PLASTIC PCG COOL GREY
FABRIC – SEAT AND BACK	DESIGNTEX, SILICONE ELEMENT 3919, AZURE 404
BASE	TBD-SELECT FROM MANUF 3 STANDARD COLORS

**MILWAUKEE PUBLIC LIBRARY – MILL ROAD GOOD HOPE BRANCH
 BID PACKAGE #5 – OPEN LINES FURITURE BID PACKAGE**

Furniture Product Specifications
 March 8, 2019
 Project #170044.00



*NOTE TOP AND SIDES ONE NON-CONTRASTING FABRIC

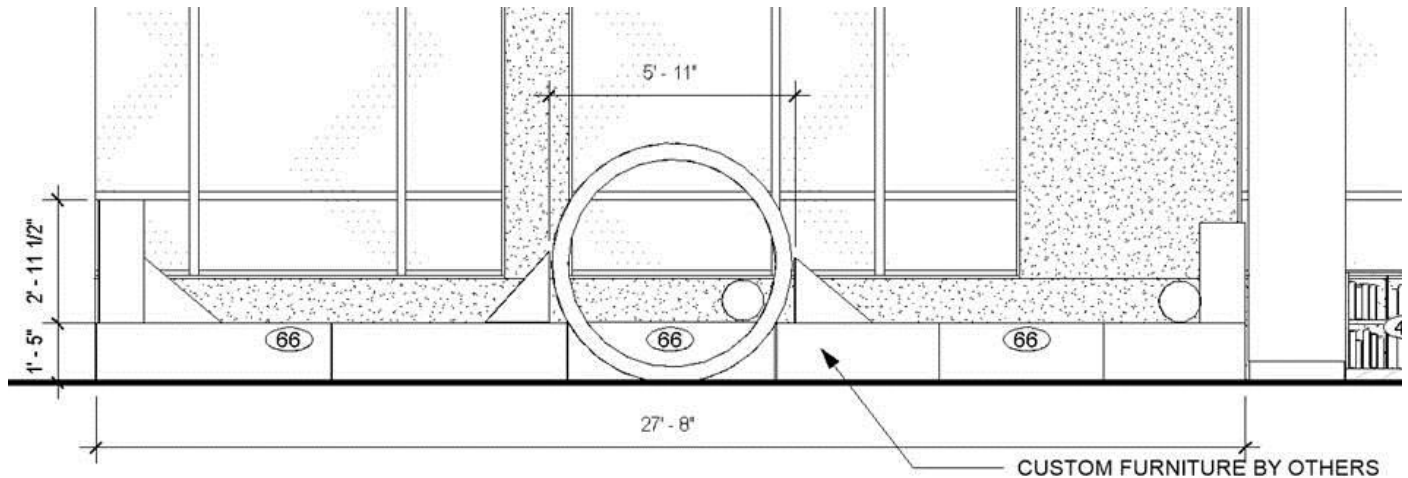
NO ALTERNATES ACCEPTED

PRODUCT SPECIFICATIONS

CODE	C-9
LOCATION	125
MFR.	KI
SERIES	MYPLACE, CURVE
PROD. #	MPJCRV/CGL/NC
DESCRIPTION	JUNIOR CURVE LOUNGE SEAT, BACKLESS, TWO TONE, JUNIOR HEIGHT, CONCEALED GLIDE, NON CONTRASTNG FABRIC (NOTE*PHOTO ABOVE IS CONTRASTING)
SIZE	65"W X 22"D X 14"H
FINISH – FABRIC	DESIGNTEX BEGUILLED BY THE WILD 3495, HUMMINGBIRD 402

MILWAUKEE PUBLIC LIBRARY – MILL ROAD GOOD HOPE BRANCH BID PACKAGE #5 – OPEN LINES FURITURE BID PACKAGE

Furniture Product Specifications
 March 8, 2019
 Project #170044.00



ALTERNATES ACCEPTED

PRODUCT SPECIFICATIONS

CODE	LS-2
LOCATION	125
MFR.	LFI, SIX INCH, 3BRANCH
SERIES	CUSTOM SEATING – WINDOW READING NOOK
PROD. #	RFQ000162-01 Custom Triangle: 24"W x 24"H x 21.5"D RFQ000162-02 Custom Cylinder: 12"Dia x 21.5"D RFQ000162-05 Custom Rectangle: 60"W x 24"H x 18"D RFQ000162-07 Custom Rectangle: 46"W x 14"H x 21.5"D RFQ000162-08 Custom Rectangle: 24"W x 46"H x 18"D RFQ000162-09 Custom Rectangle: 24"W x 27"H x 18"D RFQ000162-10 Custom Rectangle: 24"W x 16"H x 18"D RFQ000162-11 Custom Rectangle: 24"W x 32"H x 18"D RFQ000162-12 Custom Rectangle: 24"W x 47"H x 18"D RFQ000162 Custom Rectangle: 14"W x 30"H x 21.5"D
DESCRIPTION	CUSTOM SOFT SEATING SHAPES 20'L X 1'-5" D
SIZE	20'L X 1'-5" D CONFIRM – V.I.F.
FINISH – LAMINATE CIRCLE NOOK	TBD-TO BE SELECTED FROM MANUF FULL LINE
FINISH – SEAT/BACK	TBD –TO BE SELECTED FROM MANUF FULL LINE

**MILWAUKEE PUBLIC LIBRARY – MILL ROAD GOOD HOPE BRANCH
 BID PACKAGE #5 – OPEN LINES FURITURE BID PACKAGE**

Furniture Product Specifications
 March 8, 2019
 Project #170044.00



NO ALTERNATES ACCEPTED

PRODUCT SPECIFICATIONS

CODE	L-1
LOCATION	131
MFR.	KI
SERIES	INSTRUCT, ALL TERRAIN MOBILE LECTURN
PROD. #	ATRL2222-74P
DESCRIPTION	MOBILE LECTERN WITH CABINET, AV RACK COMPATIBLE, STANDARD KEY AND LOCK
SIZE	22”d X 22”w X 45”h
FINISH – FRAME FINISH – WORKSURFACE FINISH - FACE	METAL WILSONART DESIGNER WHITE FROSTED DOOR FACE

**MILWAUKEE PUBLIC LIBRARY – MILL ROAD GOOD HOPE BRANCH
 BID PACKAGE #5 – OPEN LINES FURITURE BID PACKAGE**

Furniture Product Specifications
 March 8, 2019
 Project #170044.00



NO ALTERNATES ACCEPTED

PRODUCT SPECIFICATIONS

CODE	L-2
LOCATION	115
MFR.	KI
SERIES	RUCKUS
PROD. #	
DESCRIPTION	STORAGE CABINET, MOBILE ISLAND
SIZE	36"W X 48"D X 36"H (WORKSURFACE 54"X48")
FINISH – WORKSURFACE	KI LAMINATE – WILSONART CRISP LINEN
FINISH – FRAME/CABINETS	METAL PAINT, SP SURF'S UP

MILWAUKEE PUBLIC LIBRARY – MILL ROAD GOOD HOPE BRANCH BID PACKAGE #5 – OPEN LINES FURITURE BID PACKAGE

Furniture Product Specifications
 March 8, 2019
 Project #170044.00



NO ALTERNATES ACCEPTED

PRODUCT SPECIFICATIONS

CODE	L-3
LOCATION	125(1)
MFR.	KI
SERIES	VANITY
PROD. #	TSVA
DESCRIPTION	FLIP UP LAMINATE TOP WITH MARKERBOARD INSIDE, CUPBOARD WITH REMOEVABLE SHELF, TWO LOCKING (AND TWO NON-LOCKING) CASTERS
CONFIRM	24"W X 22"D X29"H
BODY AND LEG FINISH	STEEL TOP-LG LIGHT TONE
FINISH – FRAME/CABINETS	METAL PAINT, GN GRASS GREEN

**MILWAUKEE PUBLIC LIBRARY – MILL ROAD GOOD HOPE BRANCH
 BID PACKAGE #5 – OPEN LINES FURITURE BID PACKAGE**

Furniture Product Specifications
 March 8, 2019
 Project #170044.00



***NOTE TOP AND SIDES ONE NON-CONTRASTING FABRIC
 NO ALTERNATES ACCEPTED**

PRODUCT SPECIFICATIONS

CODE	O-2
LOCATION	125
MFR.	KI
SERIES	MYWAY
PROD. #	MPJ18R/CGL/FC
DESCRIPTION	KIDS OTTOMAN, 18" ROUND, JR SIZE, CONCEALED GLIDE, NON-CONTRASTING COLOR (NOTE" ABOVE PHOTO IS CONTRASTING COLOR), JUVENILLE HEIGHT
SIZE	18" ROUND, 14"H
FINISH – SEAT/ SIDES	DESIGNTEX, BEGUILLED BY THE WILD, 3495-501 TREE FROG

MILWAUKEE PUBLIC LIBRARY – MILL ROAD GOOD HOPE BRANCH BID PACKAGE #5 – OPEN LINES FURITURE BID PACKAGE

Furniture Product Specifications

March 8, 2019

Project #170044.00



NO ALTERNATES ACCEPTED

PRODUCT SPECIFICATIONS

CODE	T-3
LOCATION	126
MFR.	PALMER HAMILTON
PRODUCT #	RELOAD
DESCRIPTION	TABLE WITH POWER MODULE, RECHARGEABLE USB POWER SOURCE
FINISH - BASE FINISH – LAMINATE TOP BASE	BLACK TBD – SELECT FROM MANUFACUTERS WHOLE LINE, ASSUME WHITE TBD-ASSUME BLACK, SELECT FROM MANUF WHOLE LINE

MILWAUKEE PUBLIC LIBRARY – MILL ROAD GOOD HOPE BRANCH BID PACKAGE #5 – OPEN LINES FURITURE BID PACKAGE

Furniture Product Specifications
 March 8, 2019
 Project #170044.00



***NOTE SPECIFIED FINISHES DIFFER FROM RENDERING
 NO ALTERNATES ACCEPTED**

PRODUCT SPECIFICATIONS

CODE	T-5
LOCATION	125, 126, 132
MFR.	NATIONAL OFFICE FURNITURE
SERIES	MIO, ALLOY BENCHING
PROD. #	15N4828TPOBP 71N4846EPFL 71N4848FB2PEL 71N4848FB2PSL 71N4848FB2PML NACBRWSS 71N27ELC 71N22ELJ
DESCRIPTION	46" H Alloy laminate end panel wall Mio conference top (48" w) and metal leg Standard height Alloy benching, powerless, include grommets and wire management (9'-6" x 4'-0" table top with metal post legs) Power entry poles, G17A grommets Alloy end panel – laminate 6 STD CHANNEL BASE HEIGHT (MIO)
SIZE	48"W X 144"L – ALLOY 48" X 48" WEDGE TOP (MIO)
FINISH-LAMINATE	DESIGNER WHITE TABLE TOPS AND DIVIDING ALLOY PANEL
FINISH-BASE	IN AREAS 126 AND 132: BLACK BASE (BOTH MIO AND ALLOY) IN AREA 125: SILVER METALLIC BASE (BOTH MIO AND ALLOY)

MILWAUKEE PUBLIC LIBRARY – MILL ROAD GOOD HOPE BRANCH BID PACKAGE #5 – OPEN LINES FURITURE BID PACKAGE

Furniture Product Specifications
 March 8, 2019
 Project #170044.00



***NO LAMINATE WALL IN SPECS, TV BY OTHERS MOUNTED DIRECTLY TO WALL
 NO ALTERNATES ACCEPTED**

PRODUCT SPECIFICATIONS

CODE	T-7
LOCATION	115
MFR.	NATIONAL OFFICE FURNITURE
SERIES	MIO
PROD. #	15N4272UL 15N7228TPOBP
DESCRIPTION	U-SHAPE TOP, METAL LEG, NO TV SCREEN WALL MIO, 42DX72W, CONFERENCE TOP, U-SHAPE, LAMINATE, GROMMET, 6 STD CHANNEL BASE HEIGHT,
SIZE	42" X 72"
FINISH – TOP AND EDGE	DESIGNER WHITE
FINISH - BASE	501 PLATINUM METALLIC

MILWAUKEE PUBLIC LIBRARY – MILL ROAD GOOD HOPE BRANCH BID PACKAGE #5 – OPEN LINES FURITURE BID PACKAGE

Furniture Product Specifications
 March 8, 2019
 Project #170044.00



NO ALTERNATES ACCEPTED

PRODUCT SPECIFICATIONS

CODE	T-8
LOCATION	124, 123
MFR.	HERMAN MILLER
SERIES	RUCKUS TABLE
PROD. #	RU5201
DESCRIPTION	FIXED HEIGHT, GLIDES ON BASE, STANDARD FIXED HEIGHT
SIZE	20"D X 30"W X 29"H
FINISH – TOP AND EDGE	KI LAMINATE, LRI CRISP LINEN
FINISH - BASE	SX STARLIGHT SILVER METALLIC

**MILWAUKEE PUBLIC LIBRARY – MILL ROAD GOOD HOPE BRANCH
 BID PACKAGE #5 – OPEN LINES FURITURE BID PACKAGE**

Furniture Product Specifications
 March 8, 2019
 Project #170044.00



NO ALTERNATES ACCEPTED

PRODUCT SPECIFICATIONS

CODE	T-9
LOCATION	125(2)
MFR.	KI
SERIES	SWAY
PROD. #	SYTB
DESCRIPTION	ROUND SIDE TABLE, NO POWER, NYLON GLIDES
SIZE	14.5"H X 27" DIA
FINISH – TOP AND EDGE	RIVER CHERRY CHIP-LAM-LRY
FINISH - BASE	TBD-SEND SAMPLES OF MANUF COLOR OPTIONS FOR FINAL SELECTION

MILWAUKEE PUBLIC LIBRARY – MILL ROAD GOOD HOPE BRANCH BID PACKAGE #5 – OPEN LINES FURITURE BID PACKAGE

Furniture Product Specifications

March 8, 2019

Project #170044.00



ALTERNATES ACCEPTED

PRODUCT SPECIFICATIONS

CODE	T-13
LOCATION	125
MFR.	LELAND
SERIES	FRESHCOAST
PROD. #	CRYSTAL
DESCRIPTION	42" DIA ROUND, KIDS HEIGHT TABLE, POWERLESS, DISC BASE, EDGE BAND
SIZE	42"W x 20"H TABLE, 48" ROUND
FINISH – TOP AND EDGE	WHITEBOARD/ CUSTOM INSET OF ALPHABET
FINISH - BASE	ASSUME FINISH TO MATCH ARBORITE, COLOR: W-459 VL SUMMER ELM, VERTICAL GRAIN

**MILWAUKEE PUBLIC LIBRARY – MILL ROAD GOOD HOPE BRANCH
 BID PACKAGE #5 – OPEN LINES FURITURE BID PACKAGE**

Furniture Product Specifications
 March 8, 2019
 Project #170044.00



NO ALTERNATES ACCEPTED

CODE	T-15
LOCATION	125
MFR.	NATIONAL
SERIES	ALLOY
PROD. #	
DESCRIPTION	42" DIA ROUND, KIDS HEIGHT TABLE, POWERLESS, DISC BASE, EDGE BAND
SIZE	42"W x 20"H TABLE
FINISH – TOP AND EDGE	DESIGNER WHITE
FINISH - BASE	BLACK

\

**MILWAUKEE PUBLIC LIBRARY – MILL ROAD GOOD HOPE BRANCH
 BID PACKAGE #5 – OPEN LINES FURITURE BID PACKAGE**

Furniture Product Specifications
 March 8, 2019
 Project #170044.00



**NO ALTERNATES ACCEPTED
 NOT TAGGED SHOWN ON PLAN
 QUANTITY OF 17 UNITS TOTAL**

CODE	TR-1
LOCATION	CONFIRM WITH OWNER – QUANTITY #17 TOTAL
MFR.	PETER PEPPER PRODUCTS
SERIES	
PROD. #	SRT – DUAL STREAM
DESCRIPTION	EXTERIOR
SIZE	42"W x 20"H TABLE
EXTERIOR FINISH INTERIOR FINISH DECAL COLOR	ALUMINUM METALLIC LEMONGRASS WHITE - "WASTE" AND "RECYCLE"